

Large Board Preheater

Optimized Preheater for Large PCBs

Product Description

VJ Electronix proudly offers the Large Board Preheater designed to preheat assemblies that require additional heat to compliment manual soldering and desoldering of SMT, Thru-hole and other applications reducing board stress.

Lead-free applications benefit from preheating. VJ Electronix's Large Board Preheater provides the additional heat required, especially for multi-layer circuit.

The Large Board Preheater uses efficient convection heating to heat a PCB ensuring better soldering, improved process control and increased productivity. When finished, air can continue without heat to cool down the board.

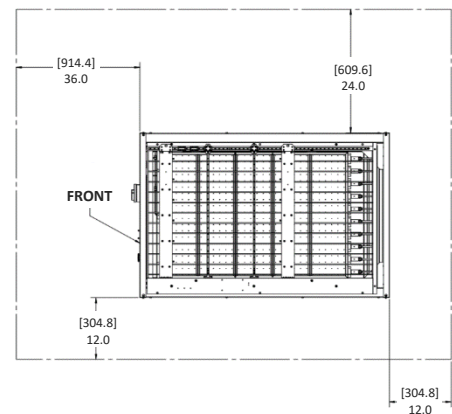
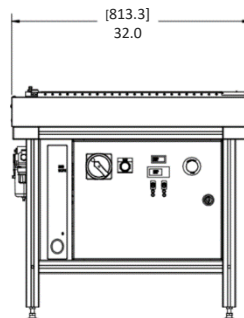
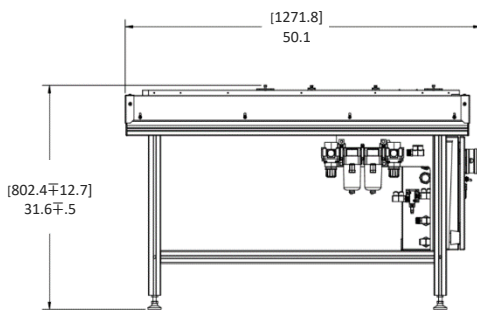
The system is easy-to-use. Simply plug it in, turn it on, adjust the heat and it's ready for work.

Applications

The Large Board Preheater may also be used in conjunction with Summit Rework Systems to increase overall throughput.



Dimensions [mm] in.





Key Features and Benefits

- Conditions boards in preparation for rework, saving time.
- Real-time temperature monitoring regulates output temperature
- Redundant feedback for added safety
- Adjustable controls to set the required temperature up to 340°C
- Temperature ramps up quickly, maximizing productivity
- Ability to handle large PCBs

Technical Specifications	
Maximum PCB size	24"x36" (600x900mm)
Input Voltage	208/400V 3-phase
Power Rating	12000W
Air Flow	25-CFM (708 LPM) Clean Dry Air
Temperature Range	32 - 340°C (90 - 644°F)
Dimensions	32.0(W) x 50.1(D) x 31.6±.5(H) in. 813.3(W) x 1271.8(D) x 802.4±12.7(H) mm
Weight	270 lb. (123 kg)

VJ Technologies Offices

VJ Electronix
19 Alpha Road
Chelmsford MA 01824

Bohemia NY
 East Haven CT
 Monterey, Mexico
 Paris, France
 Budapest, Hungary
 Bengaluru, India
 Shenzhen, China
 Suzhou, China

VJ Electronix is the integration of SRT and PMT Rework and Nicolet X-ray companies and is a worldwide leader in custom X-ray technology. Collectively we have served our markets for decades and offer vast technical expertise. We continue to secure leading positions in a variety of markets through several technological firsts and a variety of innovative cost-effective solutions. Worldwide networks of professionals support our customers with fast, reliable service.